

BYD

BYD India Private Limited

Unit No. 09 & 10, Ground Floor, Emaar Capital Tower - 1, M.G. Road, Sector 26, Gurugram - 122002

<https://www.facebook.com/bydautind/>

<https://www.instagram.com/byd.india/>

<https://www.bydautindia.com>

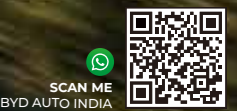
1800 419 1055

customercare@byd.com

<https://www.linkedin.com/company/byd-india-private-limited/>

BYD

*Innovation Meets
Acceleration*





Ocean Aesthetics

Derived from the design concept of "**Ocean Aesthetics**", with streamlined styling, lower body posture, and a longer wheelbase.

Providing a strong sense of electric dynamics and the future of driving.

Simple yet elegant interior design with a strong input of technology.



Fastback and low-slung shape

BYD SEAL's golden ratio relationship gives BYD SEAL a smart and elegant vehicle posture optimized for maximum aerodynamics.



Double-U Floating LED Headlights

Streamline & Slender LED lens headlight design delivering striking aesthetic & enhanced visibility.



Glistening "Ripple" Lamp

Based on the ripple of an ocean wave. Linear lighting gradually thins, giving a sense of endless expansion.



Boundless LED Tail Light & Sporty Black Diffuser

The extremely narrow linear light strip connects the water drop dot matrix lights in series, and is lined with slender and textured high-brightness chrome-plated trim, creating a wonderful visual sense of the sea and sky. Sporty diffuser reduces wind resistance and improves performance.



Electronic Hidden Flush Door Handle

Electronically retractable door handles make doors streamlined and wind resistant. Keyless entry and start, extending when unlocked.



19" Precision Blade Wheel Hub

Designed with large-area sealing, increasing aerodynamic efficiency. Dark and light colors combine for a sporty alloy.



Waterdrop-Shaped Side Mirrors

Drawing inspiration from the ocean, the waterdrop-shaped side mirrors designed for enhanced visibility.

Luxurious, Sporty, Spacious Interior

Suedette interior and luxurious textured design.

Step into a realm of luxury where sporty design meets spacious comfort, redefining elegance.

Seamless convergence of opulence and performance crafted to cater every desire.



Color Inspiration

Color inspiration (Thaumas Black) originates from Thaumas, the God of the Sea in Greek mythology.



Bolstered Sports Seats

Seats offering versatility & sportiness with ventilation, heating, memory, and electric adjustment functions.





Rear row comfortable & luxurious seat

The rear row has spacious and comfortable seats offering unparalleled comfort with leveled flooring and versatile 60/40 split folding seats, ensuring luxurious journeys.



Crystal Gearshift

The BYD SEAL's "Heart of the Ocean" control center is a symphony of form and function. The crystal gearshift lever, inspired by water droplets, is the visual centerpiece.



Cup Holder

With height adjustable driver's side cup holder.



BYD Advanced Intelligent Cockpit

BYD SEAL's comfortable cockpit is designed with a **"Ocean Aesthetics"** concept, creating a relaxing and vibrant atmosphere. The ergonomic design and exquisite workmanship reflect the car's thoughtfulness and high quality.

BYD's integrated smart cockpit transcends traditional boundaries enhancing user understanding and drive experience.



15.6Inch(39.6cm) Self-adapt Rotating Screen

The super large screen can be rotated by a simple finger touch providing truly intelligent interactive experience with ultra-responsive 1080P high resolution.

83.1%* screen-to-body ratio for immersive visuals due to 5.9mm* narrow bezel design.



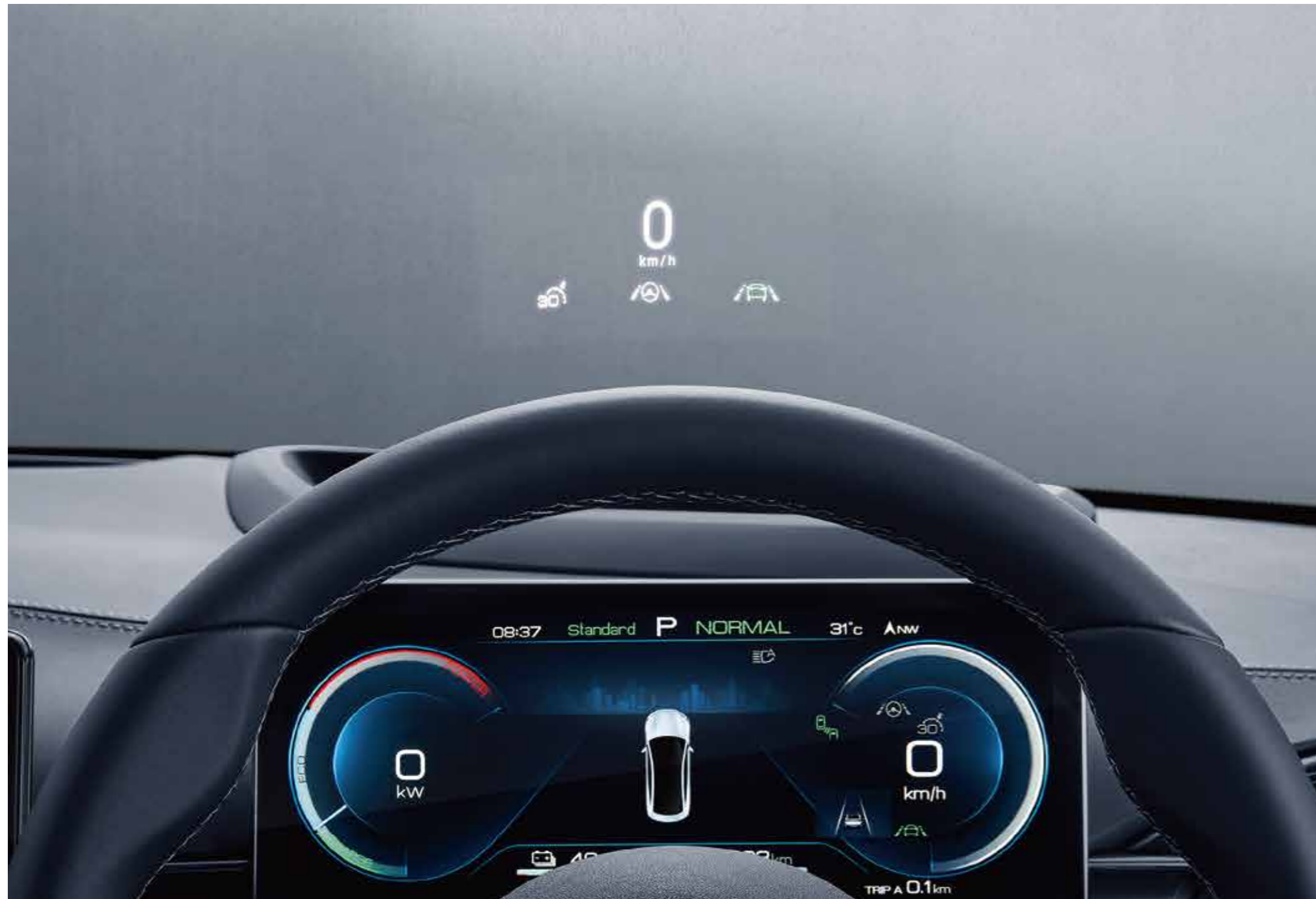
10.25-inch(26cm) Full LCD Screen Instrument

Display driving related information like Power meter, Speedometer, Regenerative braking intensity, State of charge (SOC), Remaining driving range.



Wireless Charging

Dual-efficient charging, up to 15kw*.



Advanced Windshield Heads UP Display

BYD model providing convenience to the driver projecting information such as vehicle speed, ADAS systems with fully adjustable positioning ensuring a seamless & comfortable driving experience.



Electrically Adjustable AC Vent

Thoroughly removes PM2.5 particles from the air blown into the cabin.



Automatic Rain Sensing Wipers

Automatic rain sensing, complemented with elegant frameless design.



Industry-leading Intelligent Voice Command

Voice Control: Through HI BYD.
Ultra-Fast Response: Activate response time of 611ms*.



Front Trunk

50L* of volume in Ultra-front trunk.



Intuitive Electric Tailgate

Intelligent anti-pinch technology that ensures safety while offering easy control and fully adjustable height for added convenience.



Vehicle To Load Mobile Power Station

Vehicle To Load turns BYD SEAL into mobile generator which is better suited for camping & outdoor activities.

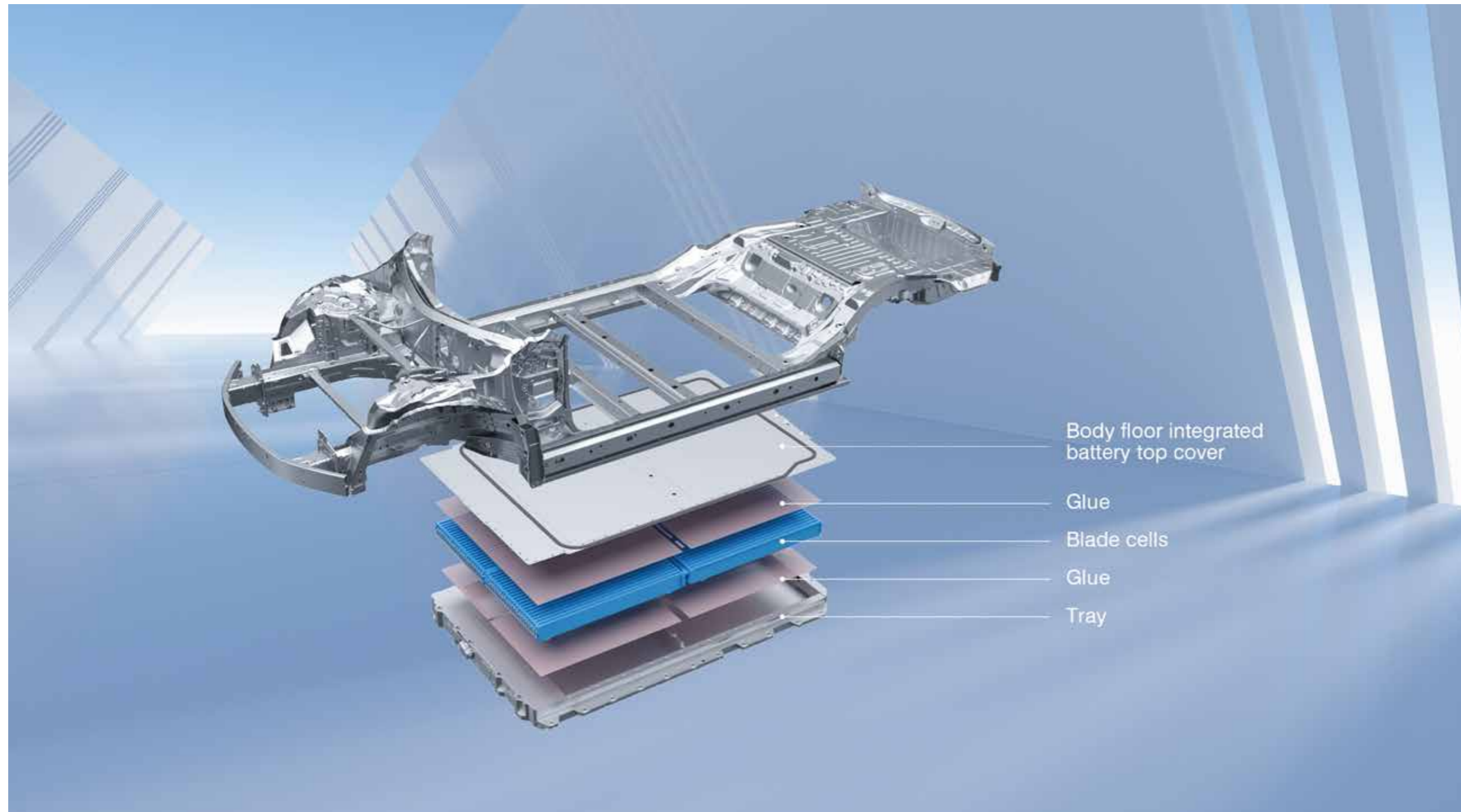


Silver-Plated Panoramic Glass Roof

1.9m² of enormous viewing area, with less than 4.2%* visible light transmittance and less than 16%* solar transmittance gives open & expanded feel to the luxurious cabin while providing more than 99%* Ultraviolet isolation rate.

UV-resistant double glazing not only ensures heightened security but also provides superior sound and heat insulation for utmost comfort.





Upgraded e-Platform 3.0 with Cell To Body Technology

In 2022, BYD released the Cell To Body technology, it further integrates the battery and the vehicle body floor together, making the original battery pack's "sandwich" structure evolve into a "sandwich" structure for the complete vehicle.

Thus, the updated e-platform 3.0 with Cell To Body technology greatly improves the vehicle safety, stability, handling and performance.



Blade Battery

BYD SEAL is equipped with the Blade Battery technology, which sets new benchmarks and redefines the standards of EV safety.

Ultra Safe

Blade Battery has successfully passed the nail penetration test, the most rigorous way to test the thermal runaway of batteries. We could say that the penetration test is the Mount Everest of the battery safety tests.

Ultra Strength

Blade Battery completed an extreme strength test that saw a 46-tonne truck driving right over it, once again resetting the bar for power battery safety.

Ultra Driving Range

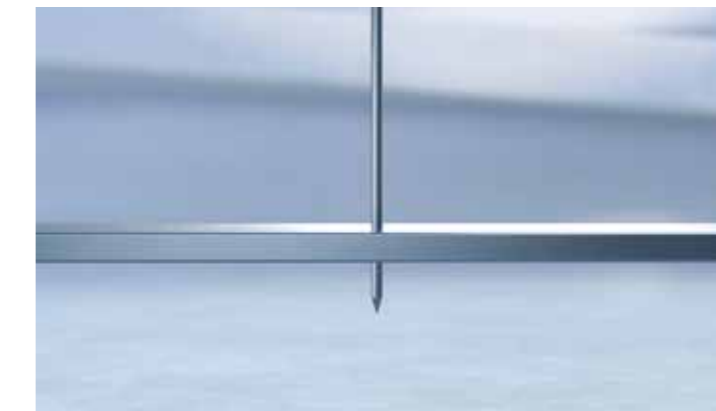
Blade Battery supports BYD SEAL a range of 650km*.

Ultra-high Charging and Discharging Capacity

Blade Battery can support BYD SEAL to charge from 0% to 80% within 45 mins*, and enables BYD SEAL to accelerate from 0-100km/h within 3.8s*.

Ultra-long Lifespan

Blade Battery can support the driving mileage of more than 500,000km* or even more than 1,000,000km*.



Nail Penetration Test



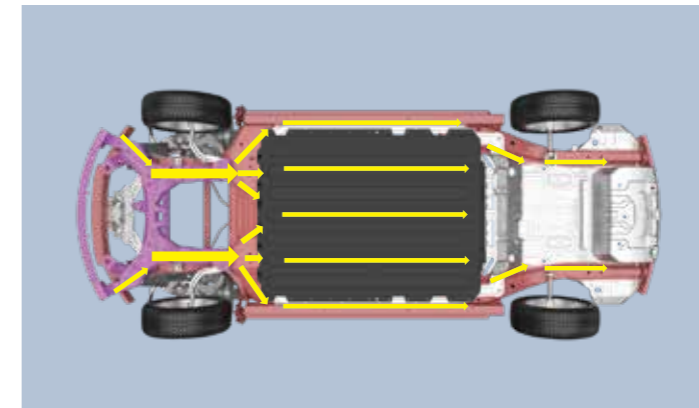
BYD Blade Battery



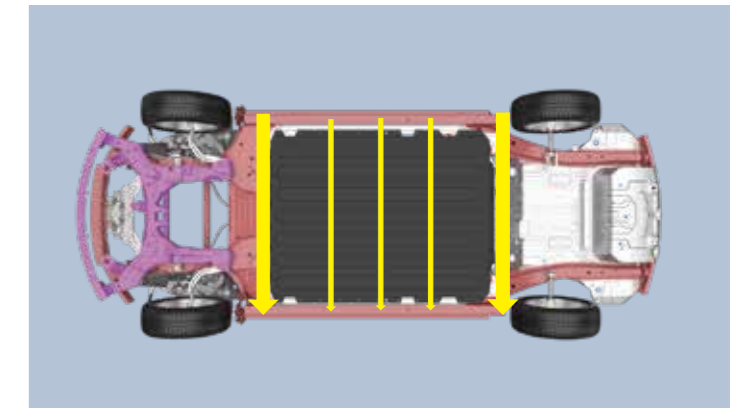
Body Safety

The battery pack is sealed as part of the body, using an integrated sealing plate design, increasing the rigidity of the floor by 13 times*. The upper cover of the Cell To Body battery pack is used to replace the body sheet metal cover, achieving a weight reduction of 10kg.

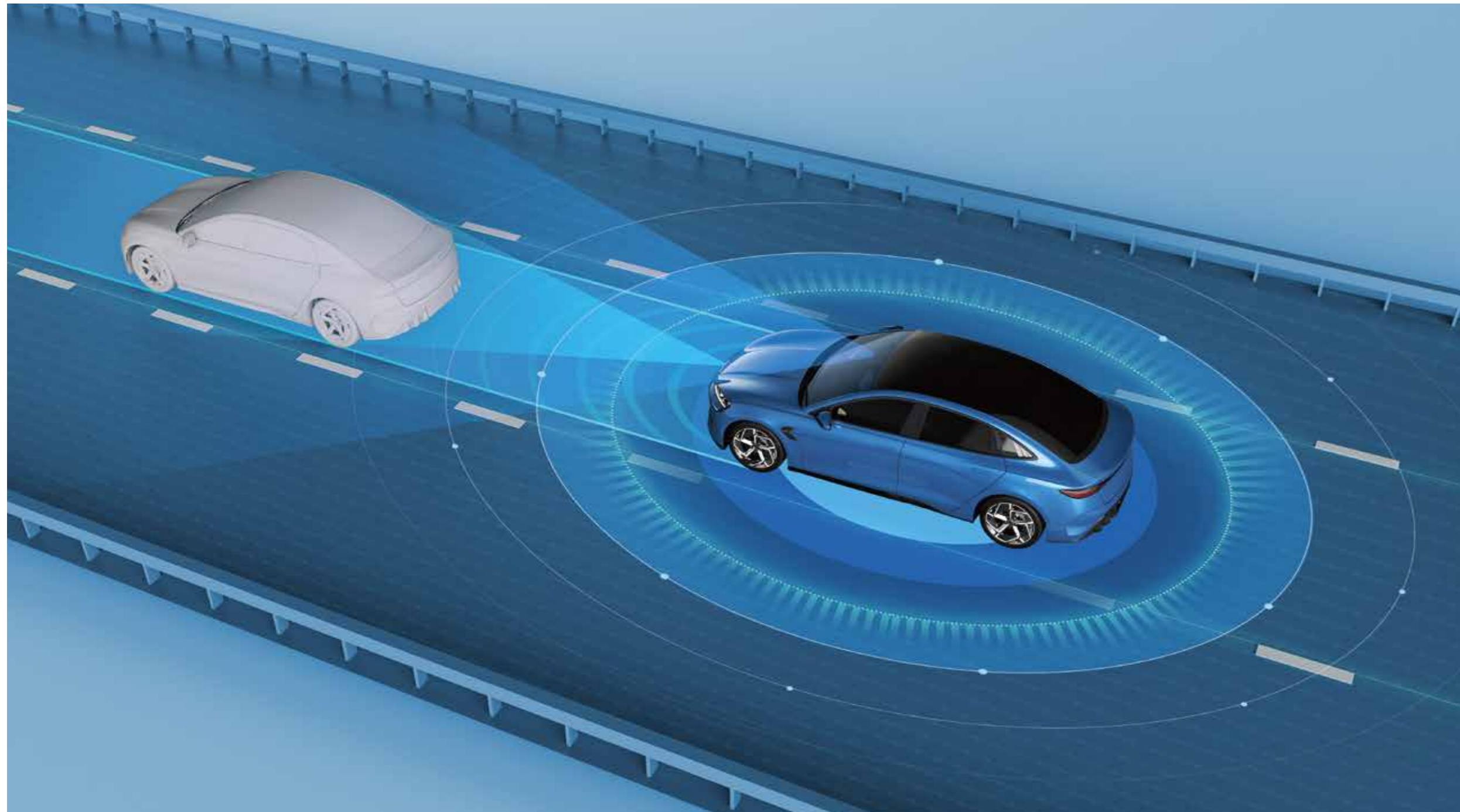
Front-impact: 20%* battery force transmission Side-impact: 30%* battery force transmission
In body structure 20%* hot formed steel and 75%* high strength steel and above.



Front-impact 20% battery force transmission*



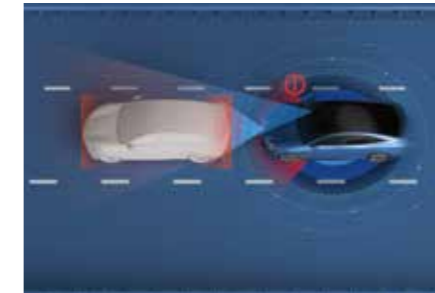
Side-impact 30% battery force transmission*



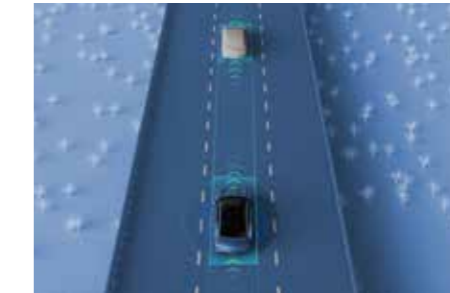
BYD Advanced Driver Assistance System

Providing an intelligent, safe and reliable driving platform.

Intelligent driving systems and multi-sensor layouts provide driver with more reliable environment perception and safe driving solutions.



Automatic Emergency Braking (AEB)



Adaptive Cruise Control (ACC)



Blind Spot Detection (BSD)



Door Open Warning (DOW)



Lane Departure Warning (LDW) & Lane Departure Prevention (LDP)



Rear Cross Traffic Brake (RCTB)

650km*

Top driving range up to 650km*

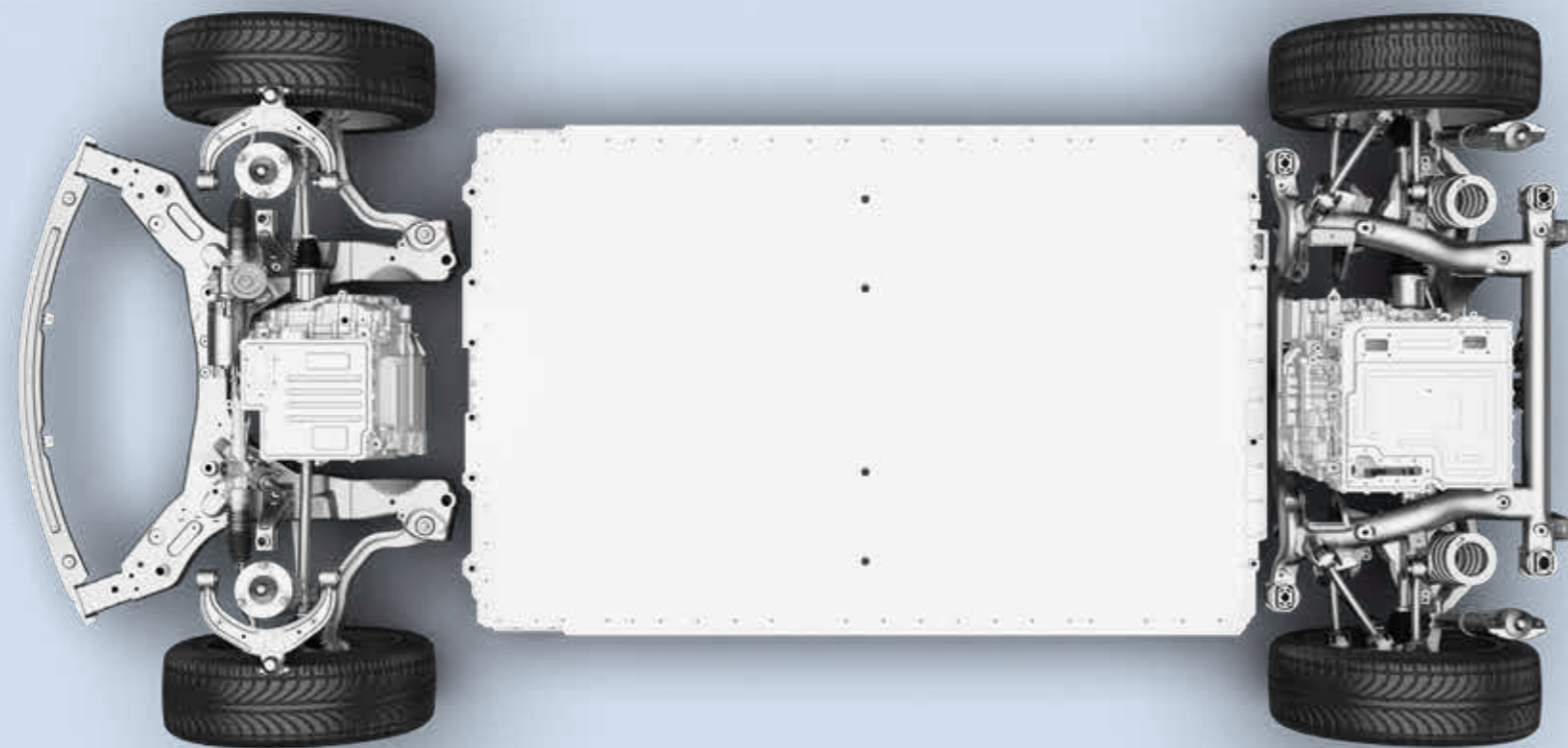
3.8s*

0 to 100km/h only requires 3.8 seconds*

200km*

15-minute charge driving range*





Precise Handling & Comfortable Drive

The lateral support ability of the Double Wishbone suspension is outstanding, and the operation is accurate, safe and reliable.

The Five-Link suspension improves driving stability.

The swing arm uses high-strength forged aluminium alloy to significantly improve the vehicle's comfort performance.



First BYD Model with the Exclusive i-TAC

Powered by the iTAC Technology, BYD SEAL can adjust the driving torque of the front and rear axles dynamically, providing customers the better driving experience in any road conditions.

Perfect Axle Load Ratio

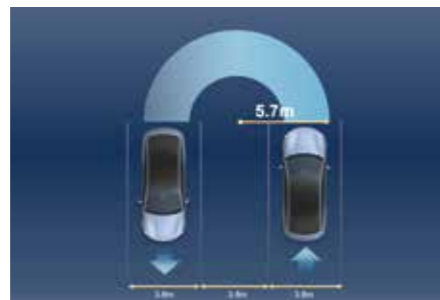
4 wheels bear the evenly distributed weight offering a stronger sense of control.

The 50:50 counterweight has a natural balance, so that the four wheels can withstand the balanced weight of the body, so the vehicle is more integrated when handling and offers enhanced control.



DP-EPS easy to control

More efficient power delivery. Precise steering with multi-power mode.



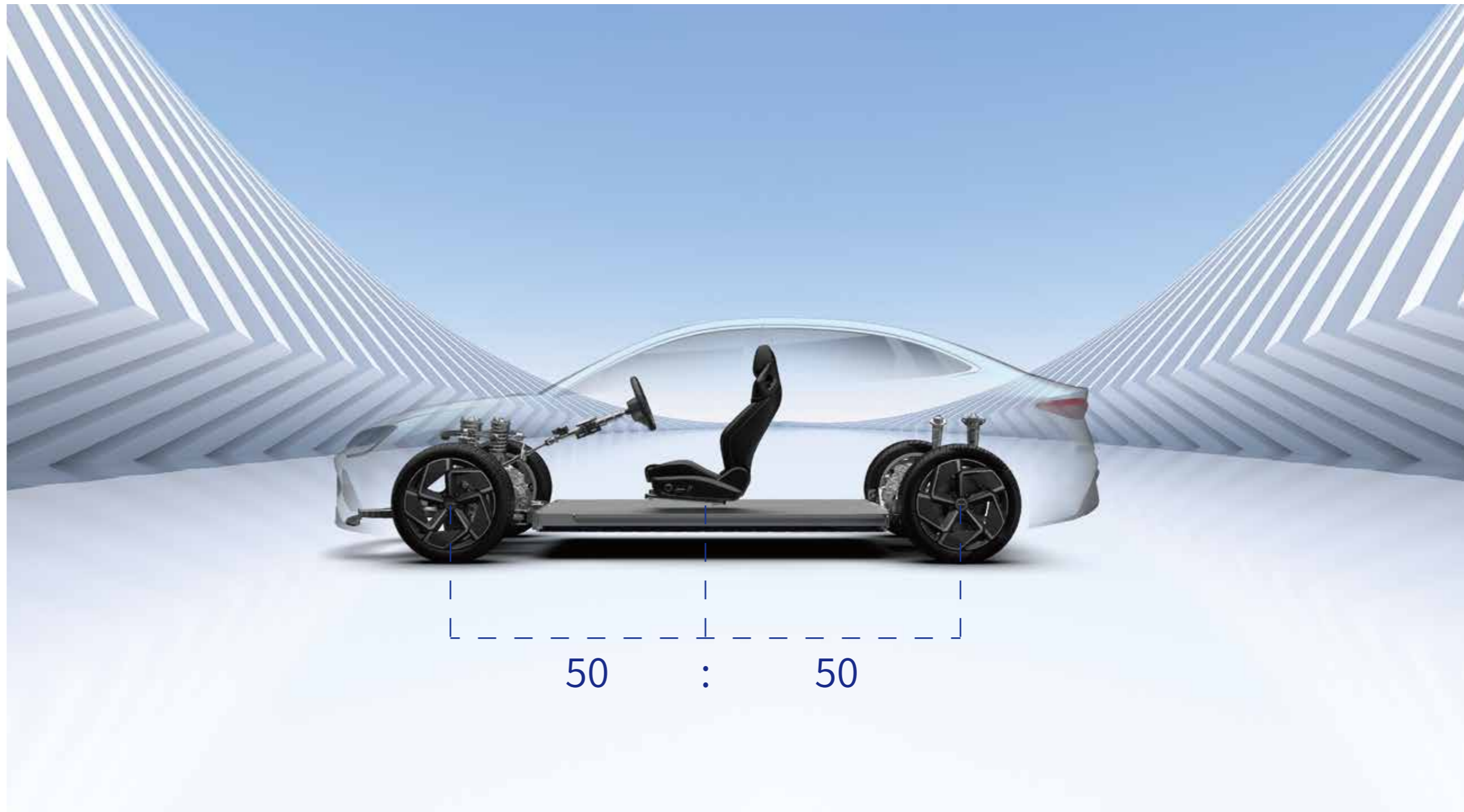
Minimum Turning Radius

Wheelbase: 2,920mm
Turning Radius: 5.7m*



Superior Test Performance

Moose Test-83.5km/h*.
Single Lane Change Test Highest Speed
Up to 133km/h*.



0.219



Industry-Leading Drag Coefficient

Low Drag Coefficient: For every 0.01 Cd reduction, the cruising range is increased by 8km. The wind resistance coefficient of BYD SEAL is as low as 0.219*.



Ultra-efficient Energy Consumption

BYD SEAL can achieve the NEDC Combined Energy Consumption as low as 13.8kWh/100km*.



High-voltage electric drive boost charging

15 minutes of charging, adds driving range up to 200km*. DC charging power up to 150kW*. Reduced heat generation.



BYD SEAL Specifications

Dimensions	Dynamic	Premium	Performance
Overall length (mm)	4,800		
Overall width (mm)	1,875		
Overall height (mm)	1,460		
Wheel track - front / rear (mm)	1,620/1,625		
Wheelbase (mm)	2,920		
Minimum turning radius (m)	5.7		
Ground clearance unladen(mm)	145		
Front trunk capacity (L)	50		
Rear trunk capacity (L)	400		
Kerb weight (kg)	1,922	2,055	2,185
Gross vehicle mass (kg)	2,344	2,501	2,631

Traction Motor	Dynamic	Premium	Performance
Drivetrain	Rear Drive	Rear Drive	All-Wheel Drive
Front motor type	/	/	Squirrel cage induction asynchronous motor
Front motor maximum power (kW)	/	/	160
Front motor maximum torque (N·m)	/	/	310
Rear motor type	Permanent magnet synchronous motor		
Rear motor maximum power (kW)	150	230	230
Rear motor maximum torque (N·m)	310	360	360
Maximum power (kW)	150	230	390
Maximum torque (N·m)	310	360	670

Performance	Dynamic	Premium	Performance
Acceleration 0-100km/h (s)	7.5	5.9	3.8
Electric range: NEDC Combined Cycle (km)	510	650	580
Seating capacity	5		
Battery type	BYD Blade Battery		
Battery capacity (kWh)	61.44	82.56	82.56

Chassis	Dynamic	Premium	Performance
Front suspension	Double Wishbone		
Rear suspension	Multi-Link		
Frequency Selective Damping (FSD)	—	—	Front & Rear
shock absorbers			
Front disc brake	Ventilated	Ventilated & Drilled	Ventilated & Drilled
Rear disc brake	Ventilated	Ventilated	Ventilated
Front brake caliper	Floating	Fixed	Fixed
Wheel type	Alloy	Alloy	Alloy
Tyre size	225/50 R18	235/45 R19	235/45 R19

BYD SEAL Features

New Energy	Standard Range	Extended Range	AWD
AC charging port - Type 2 (7kW)	●	●	●
DC Charging Port - CCS 2 (110kW)	●	—	—
DC Charging Port - CCS 2 (150kW)	—	●	●
VTOL function	●	●	●
Regenerative braking	●	●	●
Safety and Security			
Front airbags - driver & front passenger	●	●	●
Side airbags - driver & front passenger	●	●	●
Side curtain airbags - front & rear	●	●	●
Far-side airbags - driver	●	●	●
Side airbags - rear	●	●	●
Dual stage pretensioner on front seat belts	●	●	●
Pretensioner on rear seat belts	●	●	●
Seat belt reminder - front & rear	●	●	●
360° Camera	●	●	●
Front Parking Sensor (2 Zones)	●	●	●
Rear Parking Sensor (4 Zones)	●	●	●

ISOFIX Child restraint anchorage points	●	●	●
Electronic child lock	—	—	●
Intelligent power brake system	●	●	●
Electric Power Steering (DP-EPS)	●	●	●
Traction Control System (TCS)	●	●	●
Electronic Brake Force Distribution (EBD)	●	●	●
Hill Hold Control (HHC)	●	●	●
Auto-hold	●	●	●
Adaptive Cruise Control (ACC)	●	●	●
Automatic Emergency Braking (AEB)	●	●	●
Lane Departure Warning (LDW)	●	●	●
Lane Departure Prevention (LDP)	●	●	●
Emergency Lane Keeping Assist (ELKA)	●	●	●
Intelligent Cruise Control (ICC)	●	●	●
Predictive Collision Warning (PCW)	●	●	●
Traffic Sign Recognition (TSR)	●	●	●
Intelligent Speed Limit Information (ISLI)	●	●	●
Intelligent Speed Limit Control (ISLC)	●	●	●
Front Cross Traffic Alert (FCTA)	●	●	●
Front Cross Traffic Brake (FCTB)	●	●	●
Rear Cross Traffic Alert (RCTA)	●	●	●
Rear Cross Traffic Brake (RCTB)	●	●	●
Blind Spot Detection (BSD)	●	●	●
Door Open Warning (DOW)	●	●	●
High Beam Assist (HMA)	●	●	●
Driver Attention Warning (DAW)	●	●	●
Head Up Display (W-HUD)	—	●	●
Intelligence Torque Adaption Control (ITAC)	—	—	●

Exterior	Dynamic	Premium	Performance
Silver-plated panoramic glass roof	●	●	●
Electronic hidden door handles	●	●	●
Rear windscreen mount antenna	●	●	●
One-touch open/close tailgate	●	●	●
Electrically heated and adjustable exterior mirrors	●	●	●
Electrically retractable exterior mirrors	●	●	●
Door mirror auto-tilt	—	●	●
Door mirror position memory	—	●	●
Auto windows with anti-trap	●	●	●
Soundproof double glazed glass - windsheld and front door	●	●	●
Rear windscreen with electric heating & defrosting	●	●	●

Interior	Dynamic	Premium	Performance
Steering wheel mounted controls - Audio, phone, ACC and Multi-function display	●	●	●
Imitation leather-wrapped steering wheel	—	—	—
Genuine leather-wrapped steering wheel	—	●	●
10.25-inch(26cm) LCD instrumentation	●	●	●
Centre console storage compartment	●	●	●
Imitation leather-wrapped seats	●	—	—
Genuine leather-wrapped seats	—	●	●
Driver seat 8-way power adjustable	●	●	●
Driver seat 4-way lumbar power adjustment	—	●	●
Passenger seat 6-way power adjustable	●	●	●
Front seats ventilated & heated	●	●	●
Driver seat with position memory	—	●	●
Courtesy seating	—	●	●
Vice dashboard with dual cup holders	●	●	●
Front height-adjustable cup holder	●	●	●
Rear row central armrest (with dual cup holders)	●	●	●
Automatic anti-dazzle interior rearview mirror	●	●	●

Rain sensing frameless wipers	●	●	●
Metal door sill protectors	●	●	●
Front sunvisor with vanity mirror & lighting	●	●	●
Entertainment			
FM Radio	●	●	●
Android Auto™ (wireless)	●	●	●
*Apple CarPlay® (USB)	●	●	●
*Bluetooth® phone connectivity and Audio streaming	●	●	●
15.6 Inch(39.6cm) intelligent rotating touch screen display	●	●	●
DYNAUDIO, 12 speakers	●	●	●
Voice assistant - English	●	●	●
1 x USB-C & 1 x USB-A, Front	●	●	●
1 x USB-C & 1 x USB-A, Rear	●	●	●

Light	Dynamic	Premium	Performance
LED headlight	●	●	●
Follow me home headlight	●	●	●
LED daytime running light	●	●	●
LED taillight	●	●	●
Rear fog light	●	●	●
Sequential rear indicators	●	●	●
LED centre high mount stop light	●	●	●
RGB dynamic mood lights with rhythm function	●	●	●
LED front & rear side reading light	●	●	●
Luggage compartment light	●	●	●
Comfort and Convenience			
Keyless entry & start	●	●	●
NFC card key	●	●	●
Wireless phone charger × 2	●	●	●
12V accessory socket	●	●	●
PM2.5 filtration system	●	●	●
PM2.5 high efficiency filter (CN95)	●	●	●
Negative ion air purifier	●	●	●
Automatic dual-zone heat pump air-conditioning	●	●	●
Rear central air vents	●	●	●
Tyre repair kit & Tool kit	●	●	●

Disclaimers

- The product & feature images and illustrations shown in the brochure is for the purpose of representation only.
- Specifications and features shown in the brochure may not be of standard and may vary from the products supplied. BYD reserves the right to vary vehicle specifications and standard features from those detailed in this brochure.
- The 650km driving range: NEDC (km) is as per the test report issued by IDIADA as per the test of New European Driving Cycle as per ECE R101, and it is for premium variant only, the real range is influenced by many factors such as individual driving style, speed, outdoor temperature, load condition, traffic condition, etc.
- The 3.8s acceleration time from 0-100 km/h: it is for performance variant only, the real acceleration is influenced by many factors such as individual driving style, speed, outdoor temperature, load condition, traffic condition, etc.
- The driving range of 15-minute charge can up to 200 km: it is under the standard condition of the DC charging (110kW/150kW), which may vary by many factors such as the electricity load, charger specifications, outdoor temperatures, etc.
- The charging time (DC, from 0% to 80%) in 45 minutes with the DC charging port - CCS 2 (110kW/150kW) and the charging time (AC, from 0% to 100%) in 12-16 hours with AC Charging port - Type 2 (7kW) are under the standard condition of the charging, which may vary by many factors such as the electricity load, charger specifications, outdoor temperatures, etc.
- The illustration of Cell to Body technology, e-Platform 3.0 and Blade Battery are for the purpose of presenting the capability of the platform and Blade Battery only, whose details may vary on different models. See owner's manuals for complete details.
- Bluetooth® is a registered trademark of Bluetooth SIG, Inc. Compatibility and functionality varies depending on device.
- Apple CarPlay® is a registered trade mark of Apple Inc. Requires compatible device, USB connection.
- Android Auto™ is a registered trade mark of Google Inc. Requires compatible device, and wireless, it is compatible with an active data plan, 5 GHz Wi-Fi support, and the latest version.
- Colors depicted are a guide only and may vary from actual colors due to the printing restrictions, the colors shown in the brochure are subject to availability.
- The VTOL mobile power supply unit, 7kW home charger, the installation of the 7kW home charger and 3.3 portable charger box are not the part of the standard feature, they need to be purchased additionally.
- BYD advanced drive assistant system is not a substitute for human eye and driver vigilance. It is a driver assist system that enhances driving experience and safety. The driver shall remain responsible for safe, vigilant and attentive driving. See owner's manuals for complete details.
- The purpose of these pictures presented in body safety part is only to show the safety features of BYD SEAL body and battery structure and does not represent the specific structure of any part of BYD vehicles disassembly program implemented by BYD in India. BYD Auto Industry Co., Ltd. provides & interprets descriptions of all BYD vehicles as per statutory norms.
- For the booking scheme and warranty of BYD SEAL, please refer to the official website of BYD India Pvt. Ltd. at www.bydautoindia.com, for the latest information on features/specifications and other information, the authorized dealers of BYD India Pvt. Ltd. may please be contacted before deciding to place an order.

Dimensions



EURO  NCAP



Test 2023



ANCAP SAFETY

TESTED
2023

